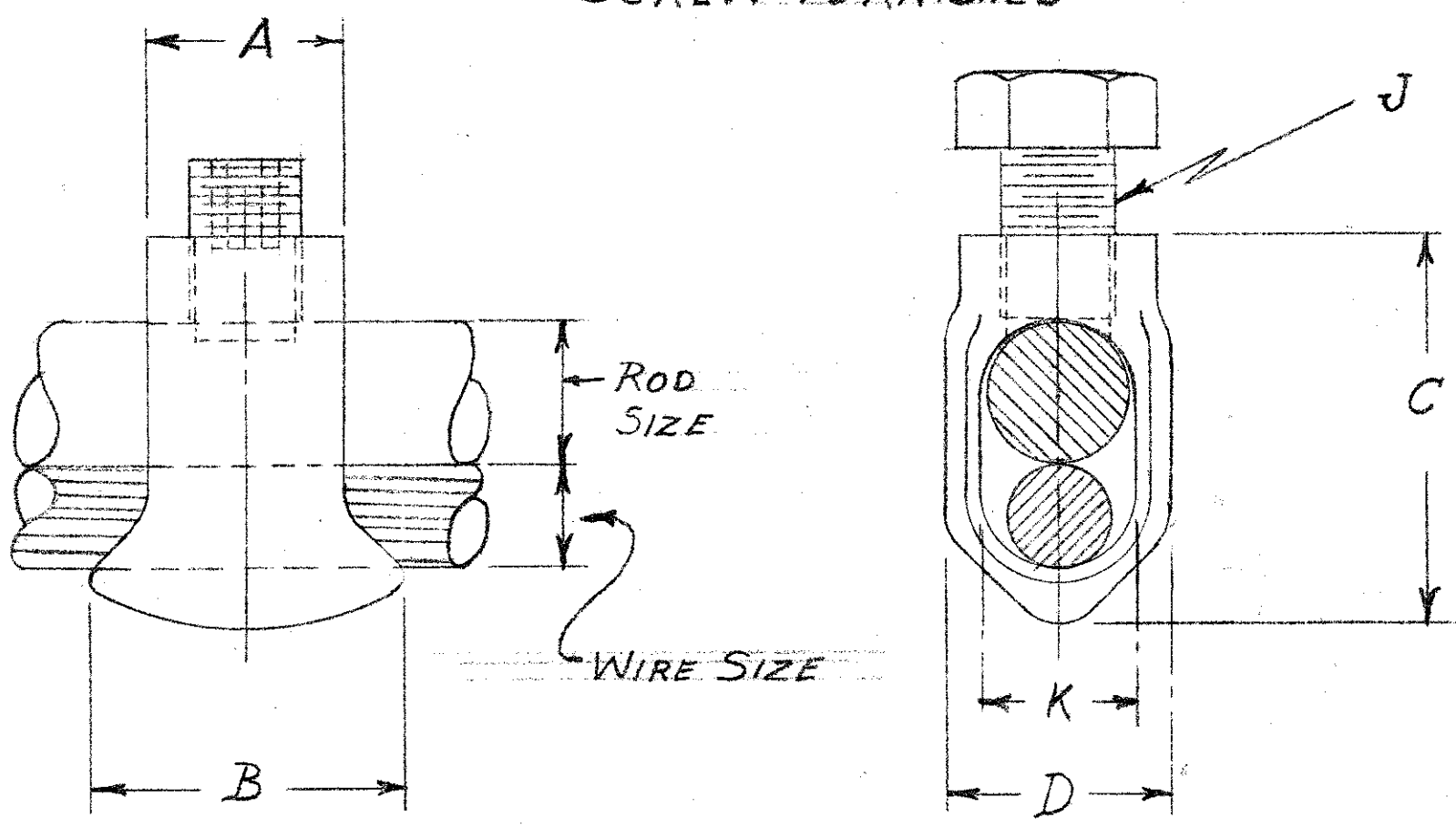


REVISIONS	DESCRIPTION	DATE	NO.	BY
3	Gen. Dim. Change	10-2-57	3	JOP
4	REVISED DIM'S to Agree with 'P' DWG	7-24-65	4	JAP

REVISIONS	DESCRIPTION	DATE	NO.	BY
1	REVISED PER DRAWN	9-26-47	1	RE
2	REVISED TO AGREE GC-103-01	8-24-51	2	CON

EITHER HOLLOW HEAD
OR HEX HEAD SET
SCREW FURNISHED



CATALOG NUMBERS		ROD SIZE	CABLE SIZE	DIMENSIONS IN INCHES					
HEX HEAD SET, SCW	HOLL. HEAD SET, SCW			A	B	C	D	J	K
GC-103-01	GC-103-01A	5/8"	#8 SOL 2/16 STR	3/4	1/8	1 3/4	1 3/16	1/2	1 1/16
GC-103-01	GC-103-01A	1/2"	#4-4/10	3/4	1/8	1 3/4	1 7/16	1/2	1 1/16
GC-103-02	GC-103-02A	5/8"	#4-4/10	3/4	1/2	1 5/16	1 5/16	1/2	1 3/16
GC-103-03	GC-103-03A	3/4"	#4-250	3/4	1 7/8	2 1/4	1 5/8	1/2	1 1/16
GC-103-04	GC-103-04A	1"	#4-250	1 1/8	1 3/4	2 1/2	1 3/4	5/8	1 5/16
GC-103-05	GC-103-05A	1 1/4"	#4-250	1 1/8	2	3	2 1/8	3/4	1 9/16

DATE	5-17-40
DWN BY	UL
CKD BY	
SCALE	

GROUND CLAMP
TYPE- GC-103

ANDERSON BRASS WORKS, INC. BIRMINGHAM, ALABAMA	
CAT. NO. GC-103	DWG NO. C-813